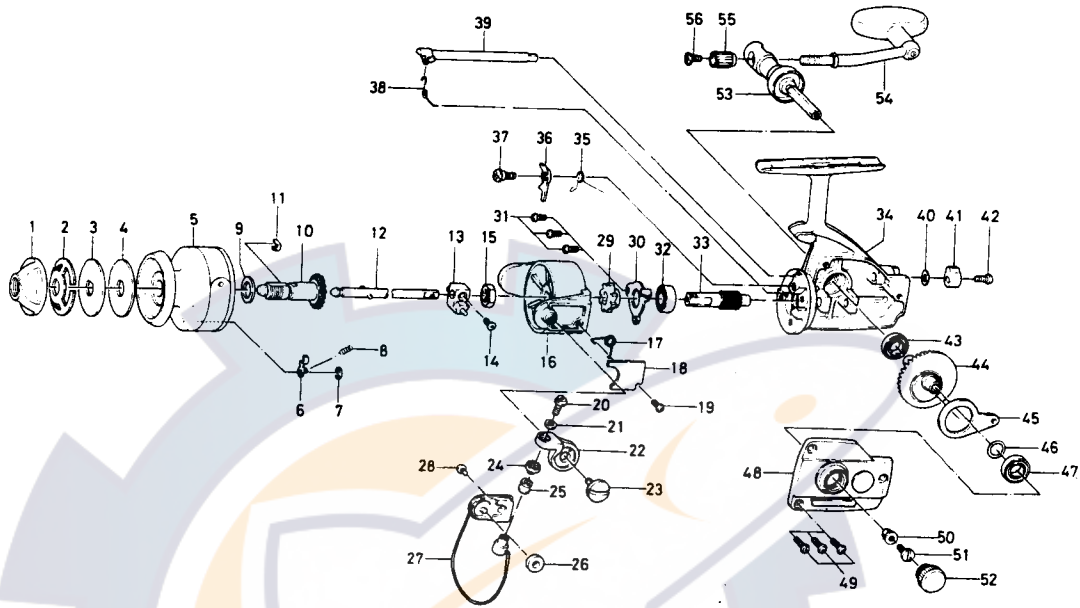


SPINNING REEL

GS-10



KEY NO. 1 ~ 11
6-733-8102

SPOOL ASSEMBLY

KEY NO. 53 ~ 56
6-747-2202

HANDLE ASSEMBLY

Key No.	Parts No.	Parts Name	Key No.	Parts No.	Parts Name
1	6-441-5301	Drag knob	29	6-280-7402	Ratchet
2	6-151-7301	Drag spring washer	30	6-320-9901	Ball bearing ret. washer
3	6-375-6001	Drag D washer	31	6-351-0901	Ball bearing ret. washer screw
4	6-375-5902	Disc washer	32	6-636-6401	Ball bearing
5	6-733-4704	Spool	33	6-403-0101	Pinion gear
6	6-807-5301	Spool click claw	34	6-701-1402	Body
7	6-320-5902	Spool click claw retainer	35	6-144-3711	Anti-reverse claw spring
8	6-145-2101	Spool click claw spring	36	6-111-6301	Anti-reverse claw
9	6-375-5701	Spool washer	37	6-363-4201	Anti-reverse claw screw
10	6-720-1331	Spool metal	38	6-144-3611	Anti-reverse cam spring
11	6-151-7211	Spool metal leaf spring	39	6-461-5622	Anti-reverse cam
12	6-711-2413	Main shaft	40	6-371-6903	Anti-reverse lever washer
13	6-636-7602	Oscillating support	41	6-541-6201	Anti-reverse lever
14	6-351-0311	Oscillating slider screw	42	6-353-4401	Anti-reverse lever screw
15	6-341-9201	Rotor nut	43	6-637-5701	Ball bearing
16	6-201-9802	Rotor	44	6-413-8911	Drive gear
17	6-144-3821	Bail spring	45	6-481-1801	Oscillating slider
18	6-041-1512	Bail spring cover	46	6-375-8500	Drive gear washer
19	6-351-0901	Bail spring cover screw	47	6-637-5701	Ball bearing
20	6-363-4411	Bail screw	48	6-706-8001	Body cover
21	6-375-4301	Bail washer	49	6-351-1101	Body cover screw
22	6-231-2501	Arm lever	50	6-501-8501	Handle screw holder
23	6-363-4301	Arm lever screw	51	6-363-8511	Handle screw
24	6-501-4411	Roller collar	52	6-803-4803	Handle screw cap
25	6-250-1921	Line roller	53	6-747-3201	Handle stand
26	6-210-6401	Balancer	54	6-747-3101	Handle arm
27	6-725-7102	Bail	55	6-342-3011	Handle arm ret. nut
28	6-352-0401	Bail holder screw	56	6-353-0701	Handle arm ret. nut screw